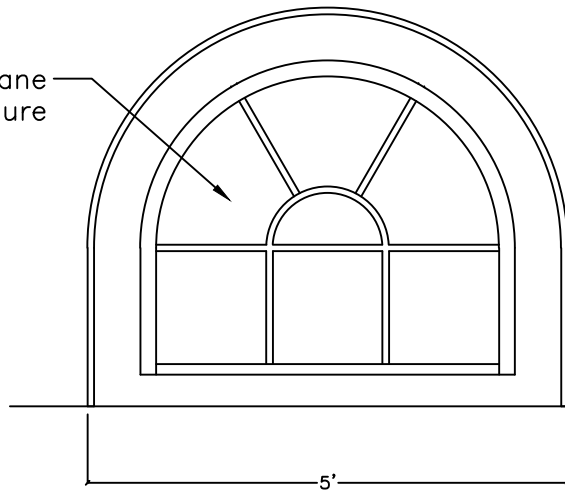
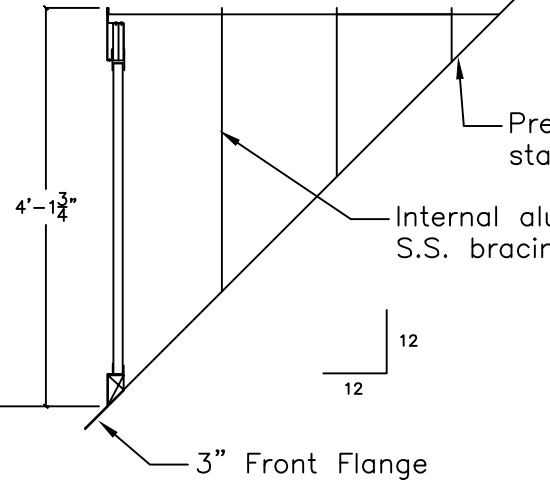


Double Pane Window—Obscure



8" Nailing Flange



Pre-finished aluminum standing seam panels

Internal aluminum S.S. bracing

12

12

3" Front Flange

.032 Kynar Aluminum
Color_____

NOTICE:
This drawing is the property of Decor and is intended for the sole use of our client. The design concepts and technical methods to accomplish these concepts are the intellectual property of Decor. These drawings may not be reproduced or the information thereon divulged without the written consent of Decor.



Decor Architectural Products, Inc.
226 West St. Suite 2, Salem, NJ 08077
www.decorap.com

(419)537-9493
FAX:(419)537-9493

D-102		
Shop Drawings		
DATE	DWG. NO.	
8/22/2016	01	
SCALE: 1/2"=1'	SHEET	